

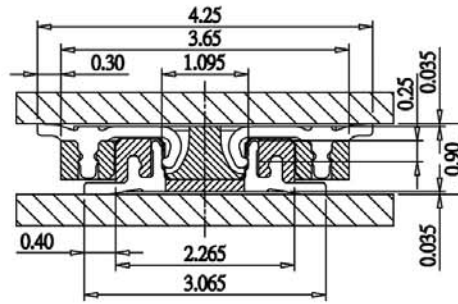
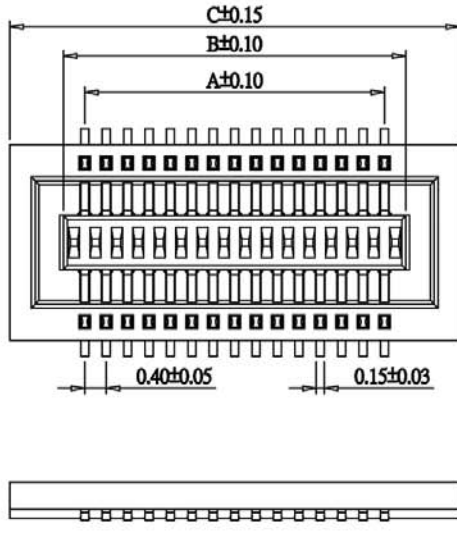
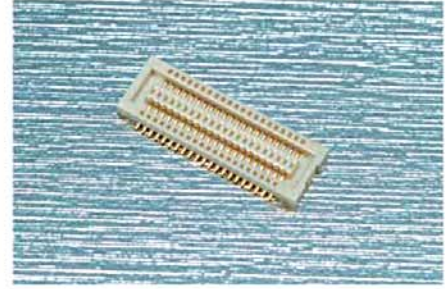
BOARD TO BOARD MALE 0.4mm H=0.675mm

SPECIFICATION

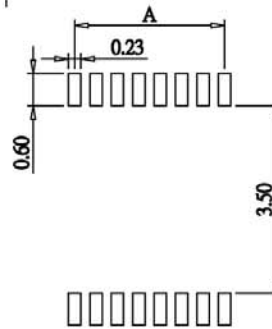
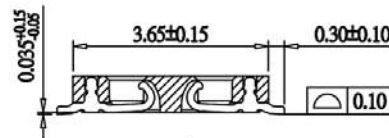
Current Rate:0.3 AMP
 Insulation Resistance:100MΩ Min
 Contact Resistance:90mΩ Max
 Dielectric voltage:50V AC for one minute
 Operation Temperature:-25° C to +85° C

MATERIAL

Insulator:Polyester,UL 94V-0
 ◎Standard:Nylon 46
 Contact Pin:Phosphor Bronze
 Contact Plated:Gold Plated



MATED DRAWING(REF.)



Recommended PCB Layout
 (PCB TOLERANCE ±0.05)

◎After Mating Height

MALE	BTB04M-XX
FEMALE	BTB04F-XX
	0.90

No. of contacts	DIM A	DIM B	DIM C	No. of contacts	DIM A	DIM B	DIM C
10	1.60	2.40	4.40	48	9.20	10.00	12.00
12	2.00	2.80	4.80	50	9.60	10.40	12.40
14	2.40	3.20	5.20	52	10.00	10.80	12.80
16	2.80	3.60	5.60	54	10.40	11.20	13.20
18	3.20	4.00	6.00	56	10.80	11.60	13.60
20	3.60	4.40	6.40	58	11.20	12.00	14.00
22	4.00	4.80	6.80	60	11.60	12.40	14.40
24	4.40	5.20	7.20	62	12.00	12.80	14.80
26	4.80	5.60	7.60	64	12.40	13.20	15.20
28	5.20	6.00	8.00	66	12.80	13.60	15.60
30	5.60	6.40	8.40	68	13.20	14.00	16.00
32	6.00	6.80	8.80	70	13.60	14.40	16.40
34	6.40	7.20	9.20	72	14.00	14.80	16.80
36	6.80	7.60	9.60	74	14.40	15.20	17.20
38	7.20	8.00	10.00	76	14.80	15.60	17.60
40	7.60	8.40	10.40	78	15.20	16.00	18.00
42	8.00	8.80	10.80	80	15.60	16.40	18.40
44	8.40	9.20	11.20				
46	8.80	9.60	11.60				

ORDER INFORMATION

