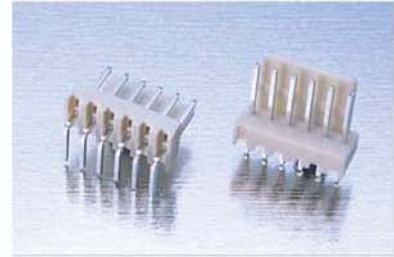
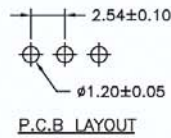


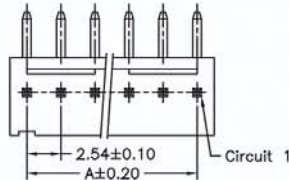
## 2.54mm WAFER RIGHT ANGLE / STRAIGHT TYPE

### SPECIFICATIONS

Current Rating: 3A AC,DC  
 Voltage Rating: 250V AC,DC  
 Temperature Range: -25°C ~ +85°C  
 Contact Resistance: 10mΩ Max  
 Insulation Resistance: 1000MΩ Min  
 Withstanding Voltage: 1000V AC/minute  
 Pin Material: Brass/Tin-plated  
 Material: Nylon 66,UL94V-2  
 Pantone Color: 7506C

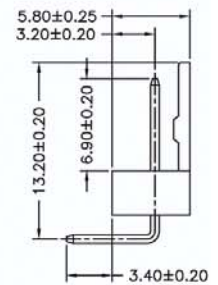
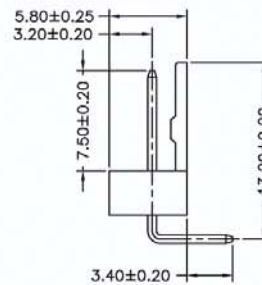
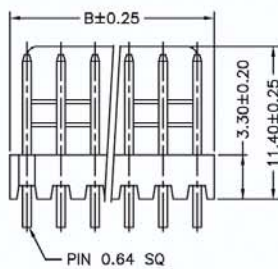


| CONTACT | Dimensions |       |
|---------|------------|-------|
|         | A          | B     |
| 02      | 2.54       | 5.08  |
| 03      | 5.08       | 7.62  |
| 04      | 7.62       | 10.16 |
| 05      | 10.16      | 12.70 |
| 06      | 12.70      | 15.24 |
| 07      | 15.24      | 17.78 |
| 08      | 17.78      | 20.32 |
| 09      | 20.32      | 22.86 |
| 10      | 22.86      | 25.40 |
| 11      | 25.40      | 27.94 |
| 12      | 27.94      | 30.48 |
| 13      | 30.48      | 33.02 |
| 14      | 33.02      | 35.56 |
| 15      | 35.56      | 38.10 |
| 16      | 38.10      | 40.64 |
| 17      | 40.64      | 43.18 |
| 18      | 43.18      | 45.72 |
| 19      | 45.72      | 48.26 |
| 20      | 48.26      | 50.80 |



Part No.: 2542--XXTW-L

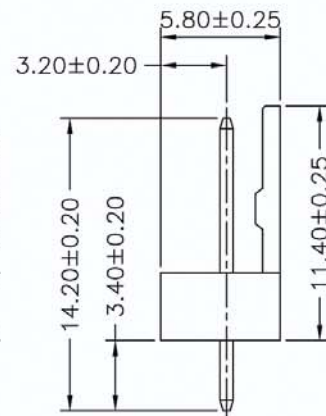
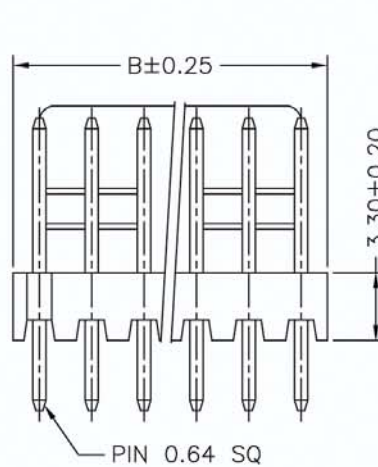
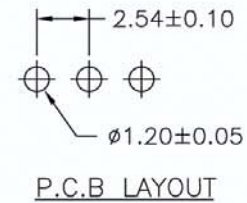
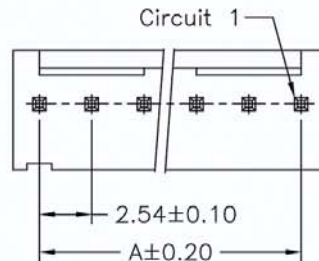
R: Right angle  
 RO: Opposite angle



### SPECIFICATIONS

Current Rating: 3A AC,DC  
 Voltage Rating: 250V AC,DC  
 Temperature Range: -25°C ~ +85°C  
 Contact Resistance: 10mΩ Max  
 Insulation Resistance: 1000MΩ Min  
 Withstanding Voltage: 1000V AC/minute  
 Pin Material: Brass/Tin-plated  
 Material: Nylon 66,UL94V-2  
 Pantone Color: 7506C

| PART NO.     | Dimensions |       |
|--------------|------------|-------|
|              | A          | B     |
| 2542S-02TW-L | 2.54       | 5.08  |
| 2542S-03TW-L | 5.08       | 7.62  |
| 2542S-04TW-L | 7.62       | 10.16 |
| 2542S-05TW-L | 10.16      | 12.70 |
| 2542S-06TW-L | 12.70      | 15.24 |
| 2542S-07TW-L | 15.24      | 17.78 |
| 2542S-08TW-L | 17.78      | 20.32 |
| 2542S-09TW-L | 20.32      | 22.86 |
| 2542S-10TW-L | 22.86      | 25.40 |
| 2542S-11TW-L | 25.40      | 27.94 |
| 2542S-12TW-L | 27.94      | 30.48 |
| 2542S-13TW-L | 30.48      | 33.02 |
| 2542S-14TW-L | 33.02      | 35.56 |
| 2542S-15TW-L | 35.56      | 38.10 |
| 2542S-16TW-L | 38.10      | 40.64 |
| 2542S-17TW-L | 40.64      | 43.18 |
| 2542S-18TW-L | 43.18      | 45.72 |
| 2542S-19TW-L | 45.72      | 48.26 |
| 2542S-20TW-L | 48.26      | 50.80 |



Part No.: 2542S--XXTW-L