

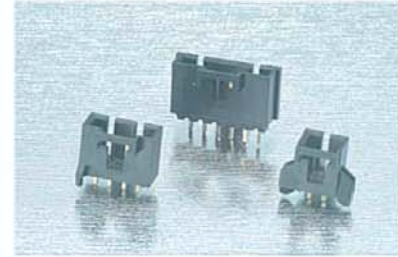
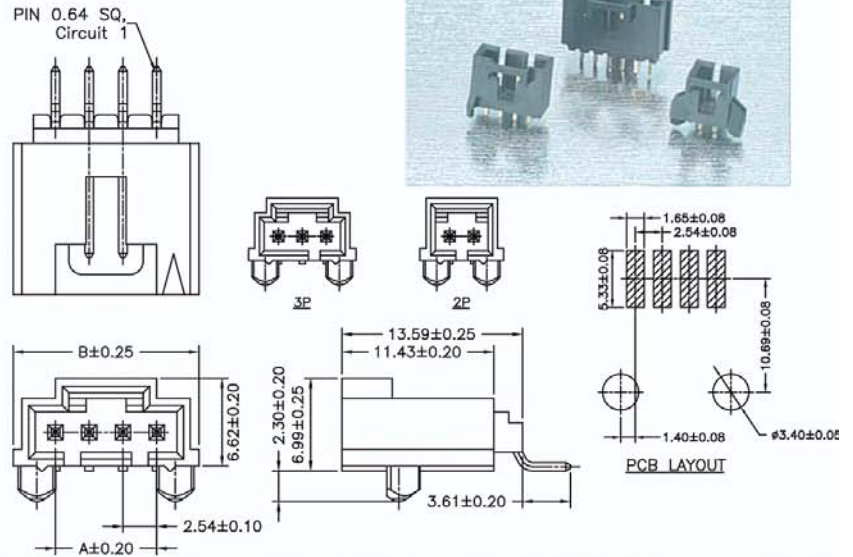
# 2.54mm MINI LATCH WAFER SMT RIGHT ANGLE / STRAIGHT TYPE

## SPECIFICATIONS

Current Rating: 3A AC,DC  
Voltage Rating: 250V AC,DC  
Temperature Range: -25°C ~ +85°C  
Contact Resistance: 20mΩ Max  
Insulation Resistance: 1000MΩ Min  
Withstanding Voltage: 1500V AC/minute  
Pin Material: Brass/Gold-flash  
Material: Nylon 6T,UL94V-0  
Color: Natural(Black)

PART NO.	Dimensions	
	A	B
2545MR-02GB-U	2.54	8.89
2545MR-03GB-U	5.08	11.43
2545MR-04GB-U	7.62	13.97
2545MR-05GB-U	10.16	16.51
2545MR-06GB-U	12.70	19.05
2545MR-07GB-U	15.24	21.59
2545MR-08GB-U	17.78	24.13
2545MR-09GB-U	20.32	26.67
2545MR-10GB-U	22.86	29.21
2545MR-11GB-U	25.40	31.75
2545MR-12GB-U	27.94	34.29

**Part No.:2545MR-XXGB-U**



## SPECIFICATIONS

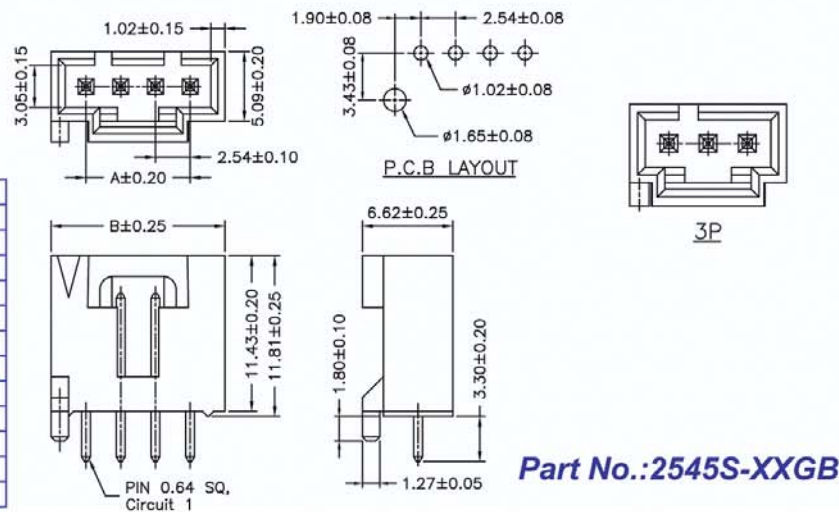
Current Rating: 3A AC,DC  
Voltage Rating: 250V AC,DC  
Temperature Range: -25°C ~ +85°C  
Contact Resistance: 20mΩ Max  
Insulation Resistance: 1000MΩ Min  
Withstanding Voltage: 1500 V AC/minute  
Pin Material: Brass/Gold-flash  
Material: PBT30%GF,UL94V-0  
Color: Natural(Black)

PART NO.	Dimensions	
	A	B
2545S-02GB2-L	2.54	7.63
2545S-03GB2-L	5.08	10.17
2545S-04GB2-L	7.62	12.71
2545S-05GB2-L	10.16	15.25
2545S-06GB2-L	12.70	17.79
2545S-07GB2-L	15.24	20.33
2545S-08GB2-L	17.78	22.87
2545S-09GB2-L	20.32	25.41
2545S-10GB2-L	22.86	27.95
2545S-11GB2-L	25.40	30.49
2545S-12GB2-L	27.94	33.03

## SPECIFICATIONS

Current Rating: 3A AC,DC  
Voltage Rating: 250V AC,DC  
Temperature Range: -25°C ~ +85°C  
Contact Resistance: 20mΩ Max  
Insulation Resistance: 1000MΩ Min  
Withstanding Voltage: 1500 V AC/minute  
Pin Material: Brass/Gold-flash  
Material: PBT30%GF,UL94V-0  
Color: Natural(Black)

PART NO.	Dimensions	
	A	B
2545S-02GB1-L	2.54	7.63
2545S-03GB1-L	5.08	10.17
2545S-04GB1-L	7.62	12.71
2545S-05GB1-L	10.16	15.25
2545S-06GB1-L	12.70	17.79
2545S-07GB1-L	15.24	20.33
2545S-08GB1-L	17.78	22.87
2545S-09GB1-L	20.32	25.41
2545S-10GB1-L	22.86	27.95
2545S-11GB1-L	25.40	30.49
2545S-12GB1-L	27.94	33.03



**Part No.:2545S-XXGB2-L**

**Part No.:2545S-XXGB1-L**