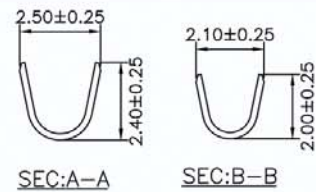
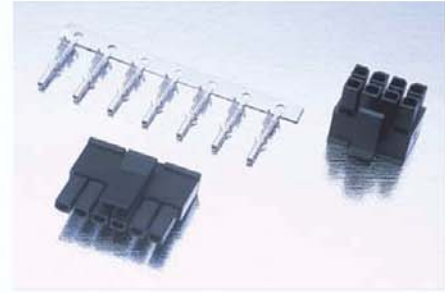
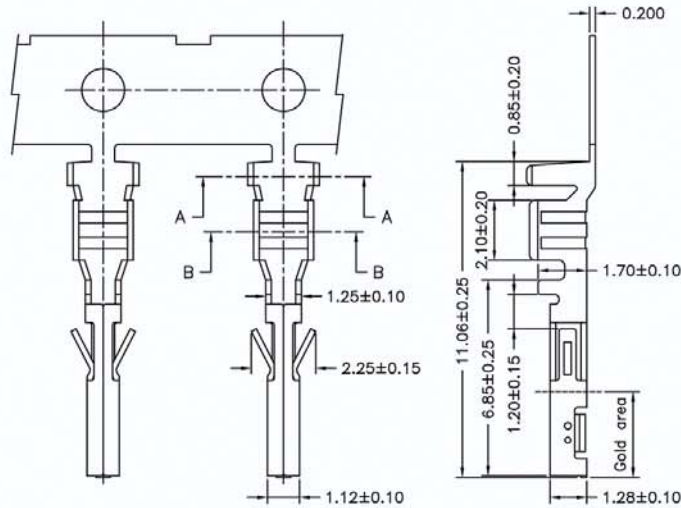


## 3.0mm FEMALE TERMINAL / MALE HOUSING



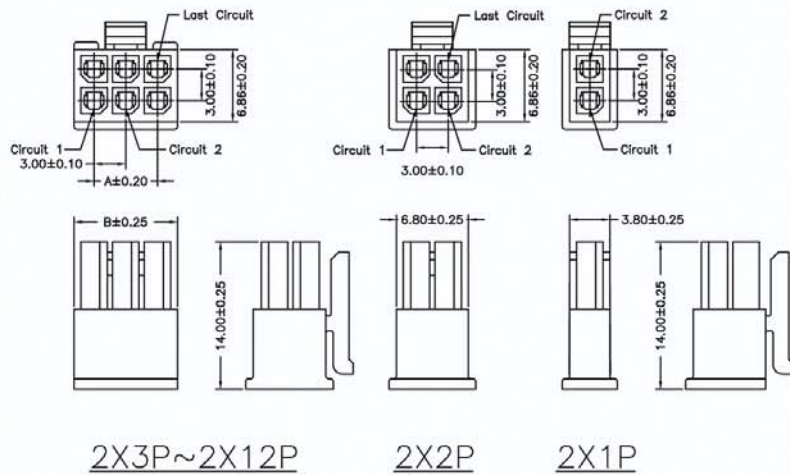
| Wire Range | Insulation O.D. | Material        | Finish     | Qty/reel  |
|------------|-----------------|-----------------|------------|-----------|
| AWG#20-#24 | 1.85mm(max)     | Phosphor Bronze | Tin-plated | 15,000pcs |

Part No.:3000-FT-L

### SPECIFICATIONS

Current Rating: 5A AC,DC  
 Voltage Rating: 250V AC,DC  
 Temperature Range: -25°C ~ +85°C  
 Contact Resistance: 10mΩ Max  
 Insulation Resistance: 1000MΩ Min  
 Withstanding Voltage: 1500V AC/minute  
 Material: Nylon 66,UL94V-2  
 Color: Black

| PART NO.      | Dimensions |       |
|---------------|------------|-------|
|               | A          | B     |
| 3000H-M201B-L | ---        | 3.80  |
| 3000H-M202B-L | 3.00       | 6.80  |
| 3000H-M203B-L | 6.00       | 9.80  |
| 3000H-M204B-L | 9.00       | 12.80 |
| 3000H-M205B-L | 12.00      | 15.80 |
| 3000H-M206B-L | 15.00      | 18.80 |
| 3000H-M207B-L | 18.00      | 21.80 |
| 3000H-M208B-L | 21.00      | 24.80 |
| 3000H-M209B-L | 24.00      | 27.80 |
| 3000H-M210B-L | 27.00      | 30.80 |
| 3000H-M211B-L | 30.00      | 33.80 |
| 3000H-M212B-L | 33.00      | 36.80 |

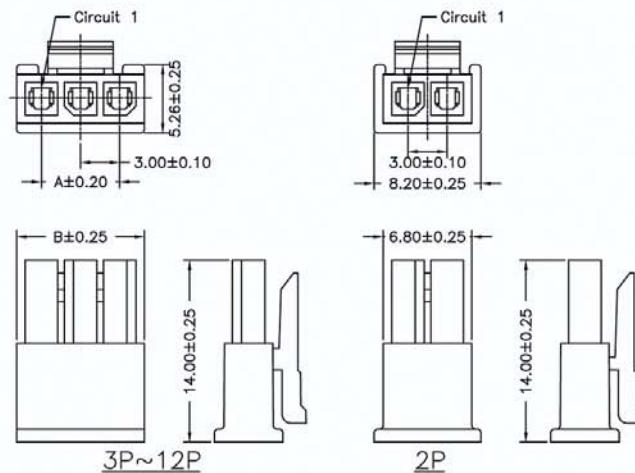


Part No.:3000H-M2XXB-L

### SPECIFICATIONS

Current Rating: 5A AC,DC  
 Voltage Rating: 250V AC,DC  
 Temperature Range: -25°C ~ +85°C  
 Contact Resistance: 10mΩ Max  
 Insulation Resistance: 1000MΩ Min  
 Withstanding Voltage: 1500V AC/minute  
 Material: Nylon 66,UL94V-2  
 Color: Black

| PART NO.      | Dimensions |       |
|---------------|------------|-------|
|               | A          | B     |
| 3000H-M102B-L | 3.00       | 6.80  |
| 3000H-M103B-L | 6.00       | 9.80  |
| 3000H-M104B-L | 9.00       | 12.80 |
| 3000H-M105B-L | 12.00      | 15.80 |
| 3000H-M106B-L | 15.00      | 18.80 |
| 3000H-M107B-L | 18.00      | 21.80 |
| 3000H-M108B-L | 21.00      | 24.80 |
| 3000H-M109B-L | 24.00      | 27.80 |
| 3000H-M110B-L | 27.00      | 30.80 |
| 3000H-M111B-L | 30.00      | 33.80 |
| 3000H-M112B-L | 33.00      | 36.80 |



Part No.:3000H-M1XXB-L