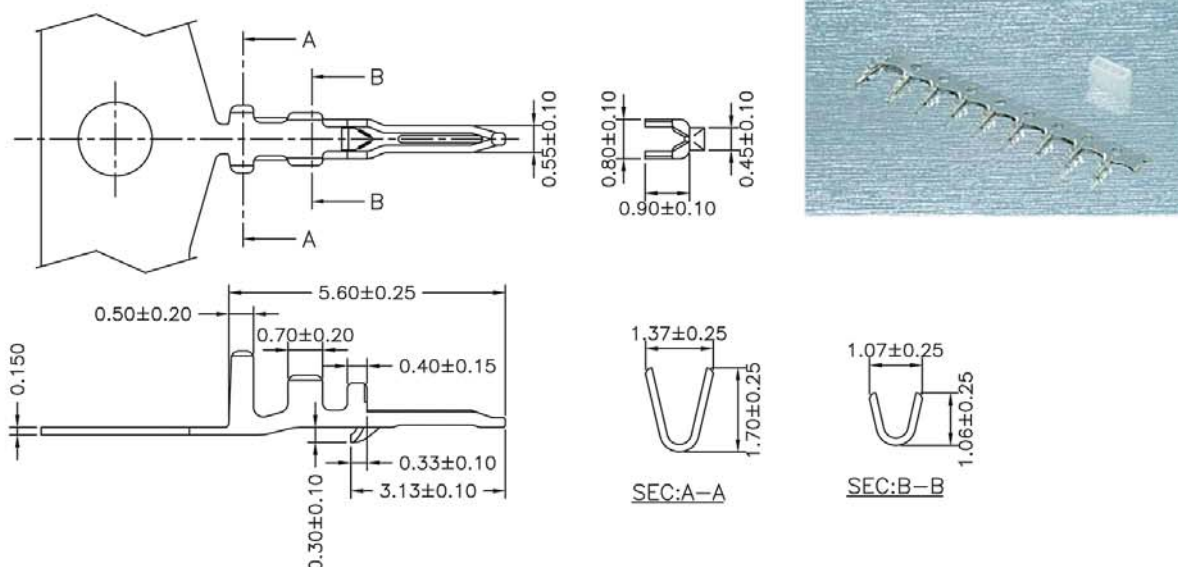


# 1.25mm TERMINAL / HOUSING



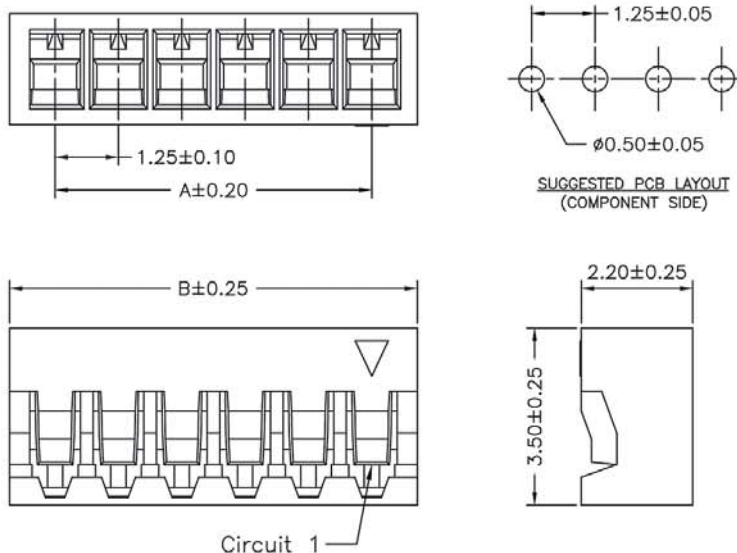
Wire Range	Insulation O.D.	Material	Finish	Qty/reel
AWG#28-#32	1.00mm(max)	Phosphor Bronze	Tin-plated	15,000pcs

**Part No.:1257-T-L**

## SPECIFICATIONS

Current Rating: 1A AC,DC  
 Voltage Rating: 125V AC,DC  
 Temperature Range: -25°C ~ +85°C  
 Contact Resistance: 20mΩ Max.  
 Insulation Resistance: 100MΩ Min.  
 Withstanding Voltage: 500V AC/minute  
 Material: Nylon 66,UL94V-0  
 Color: Natural(White)

PART NO.	Dimensions	
	A	B
1257H-02W-L	1.25	3.05
1257H-03W-L	2.50	4.30
1257H-04W-L	3.75	5.55
1257H-05W-L	5.00	6.80
1257H-06W-L	6.25	8.05
1257H-07W-L	7.50	9.30
1257H-08W-L	8.75	10.55
1257H-09W-L	10.00	11.80
1257H-10W-L	11.25	13.05
1257H-11W-L	12.50	14.30
1257H-12W-L	13.75	15.55
1257H-13W-L	15.00	16.80
1257H-14W-L	16.25	18.05
1257H-15W-L	17.50	19.30



**Part No.:1257H-XXW-L**