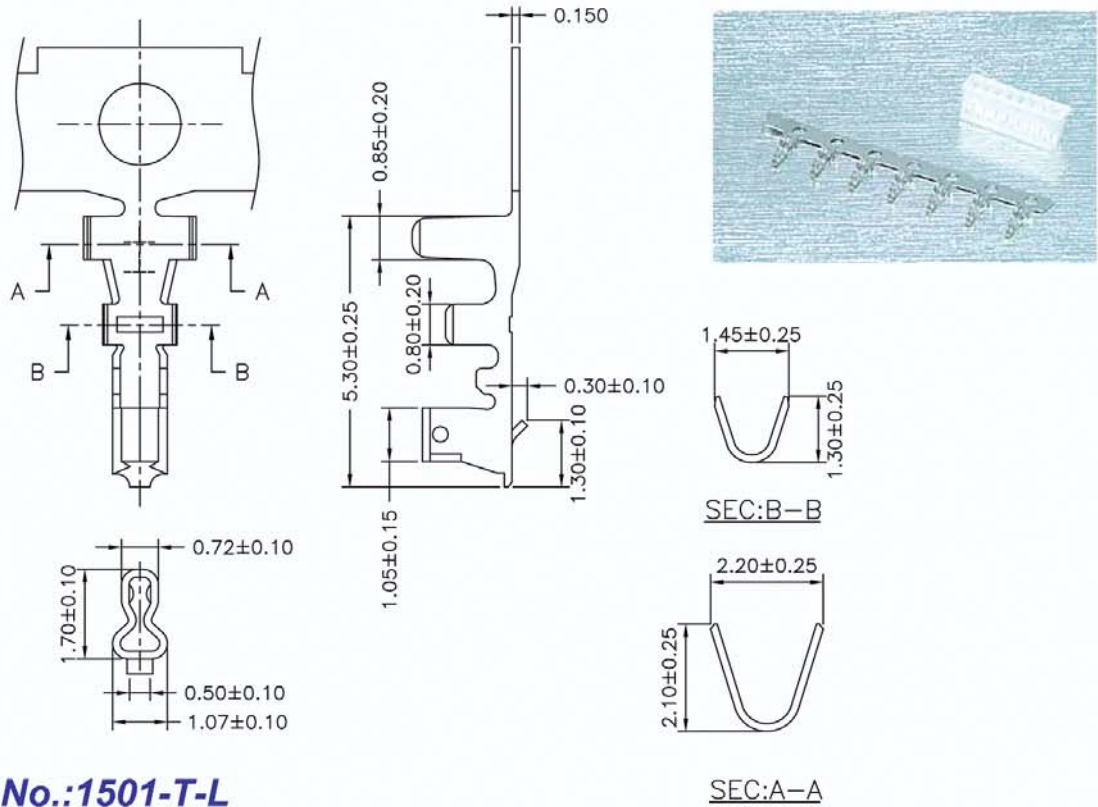


# 1.5mm TERMINAL / HOUSING

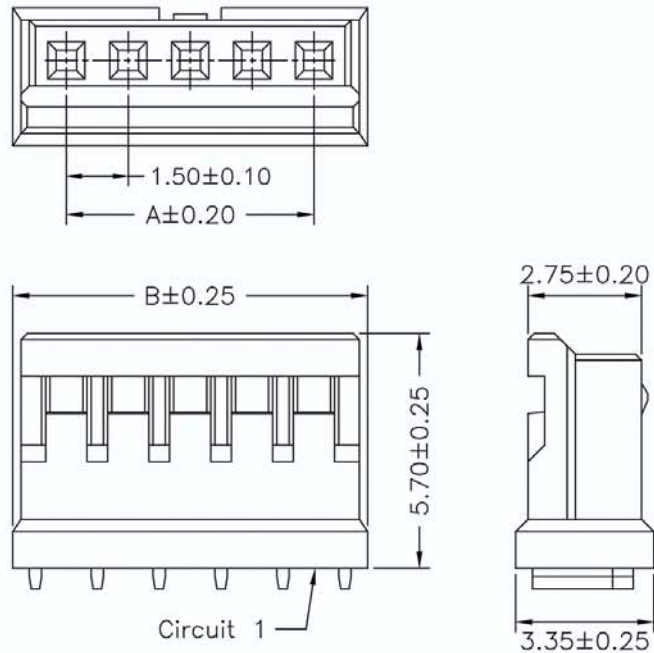


**Part No.:1501-T-L**

Wire Range	Insulation O.D.	Material	Finish	Qty/reel
AWG#24-#28	1.10mm(max)	Phosphor Bronze	Tin-plated	10,000pcs

**SPECIFICATIONS**  
 Current Rating: 1A AC,DC  
 Voltage Rating: 350V AC,DC  
 Temperature Range: -25°C ~ +85°C  
 Contact Resistance: 20mΩ Max.  
 Insulation Resistance: 1000MΩ Min.  
 Withstanding Voltage: 500V AC/minute  
 Material: Nylon 66,UL94V-0  
 Color: Natural(White)

PART NO.	Dimensions	
	A	B
1501H-02W-L	1.50	4.10
1501H-03W-L	3.00	5.60
1501H-04W-L	4.50	7.10
1501H-05W-L	6.00	8.60
1501H-06W-L	7.50	10.10
1501H-07W-L	9.00	11.60
1501H-08W-L	10.50	13.10
1501H-09W-L	12.00	14.60
1501H-10W-L	13.50	16.10
1501H-11W-L	15.00	17.60
1501H-12W-L	16.50	19.10
1501H-13W-L	18.00	20.60
1501H-14W-L	19.50	22.10
1501H-15W-L	21.00	23.60



**Part No.:1501H-XXW-L**