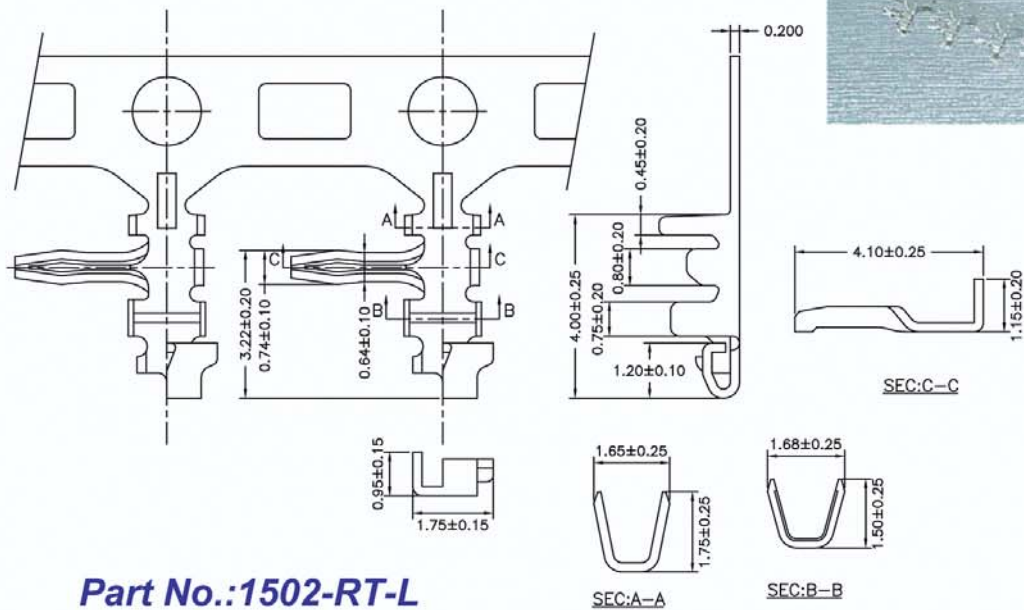


1.5mm TERMINAL / HOUSING



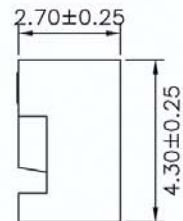
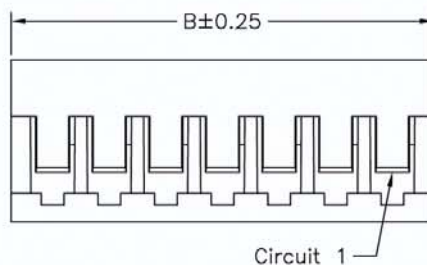
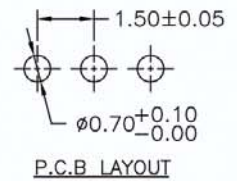
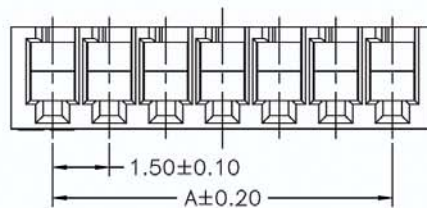
Part No.:1502-RT-L

Wire Range	Insulation O.D.	Material	Finish	Qty/reel
AWG#28-#30	1.00mm(max)	Brass	Tin-plated	15,000pcs

SPECIFICATIONS

Current Rating: 1A AC,DC
 Voltage Rating: 200V AC,DC
 Temperature Range: -25°C ~ +85°C
 Contact Resistance: 20mΩ Max.
 Insulation Resistance: 500MΩ Min.
 Withstanding Voltage: 500V AC/minute
 Material: Nylon 66,UL94V-0
 Color: Natural(White)

PART NO.	Dimensions	
	A	B
1502RH-02W-L	1.50	3.70
1502RH-03W-L	3.00	5.20
1502RH-04W-L	4.50	6.70
1502RH-05W-L	6.00	8.20
1502RH-06W-L	7.50	9.70
1502RH-07W-L	9.00	11.20
1502RH-08W-L	10.50	12.70
1502RH-09W-L	12.00	14.20
1502RH-10W-L	13.50	15.70
1502RH-11W-L	15.00	17.20
1502RH-12W-L	16.50	18.70
1502RH-13W-L	18.00	20.20
1502RH-14W-L	19.50	21.70
1502RH-15W-L	21.00	23.20



Part No.:1502RH-XXW-L