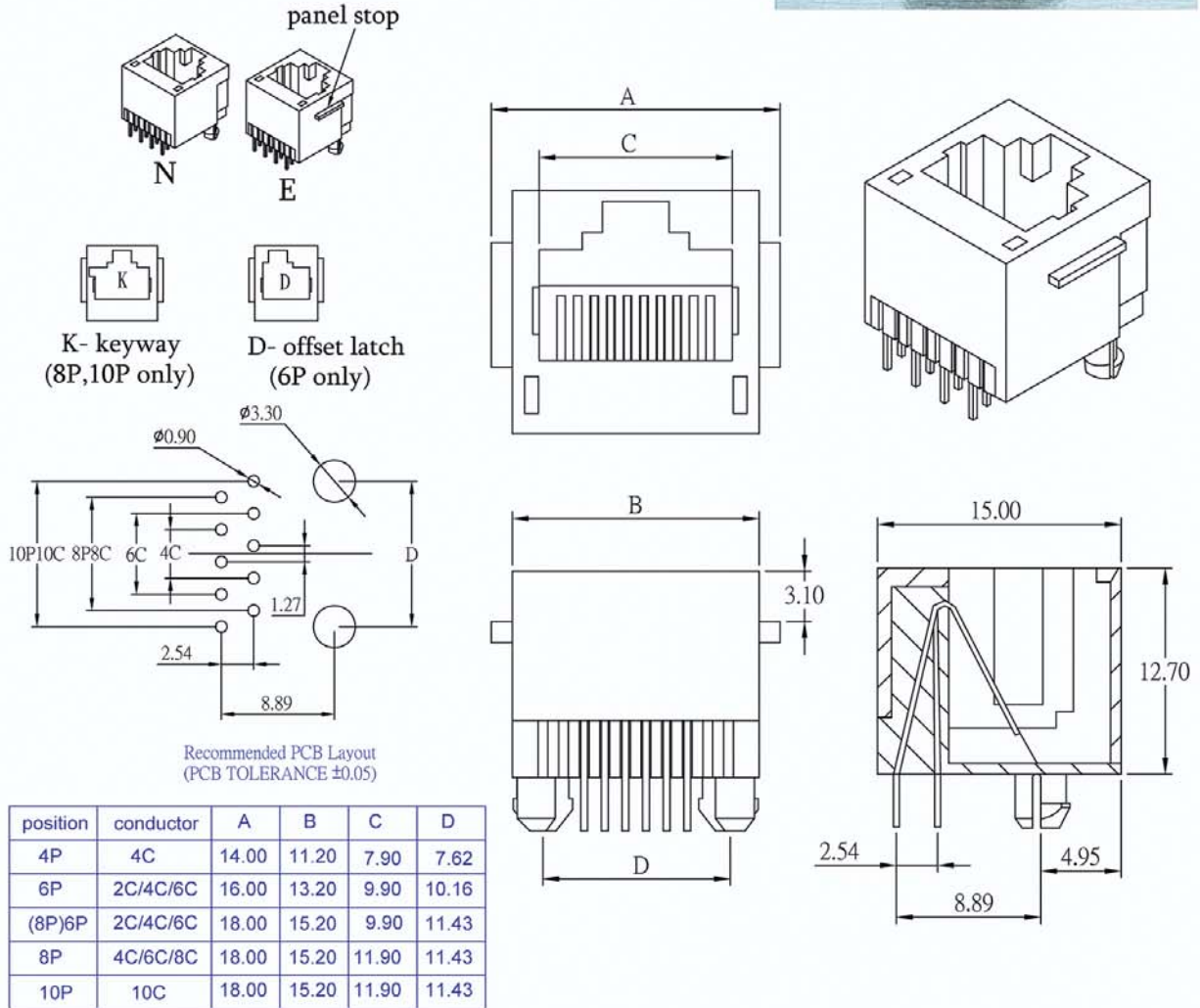
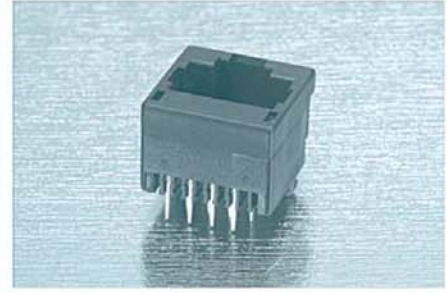


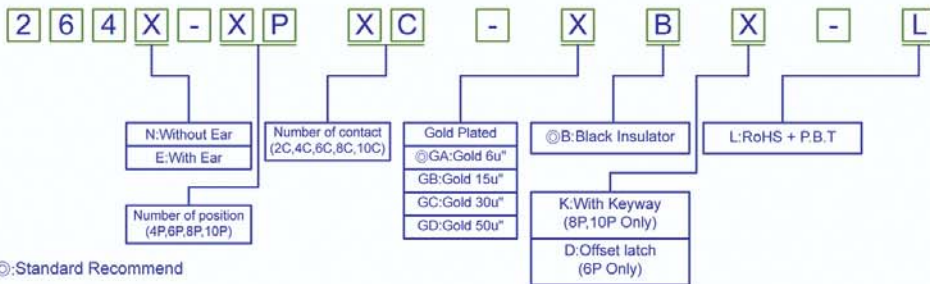
MODULAR JACK TOP ENTRY H=12.7 W=15.0

MATERIAL & FINISH

HOUSING: Glass Fiber, PBT. UL94V-0, BLACK
 CONTACT: 0.35x0.43 mm thickness phosphor bronze,
 Gold plated over Nickel on contact area,
 Tin plated over Nickel on solder area.



ORDER INFORMATION



385 © Standard Recommend