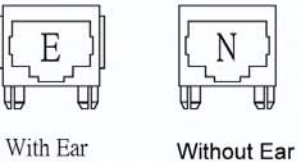
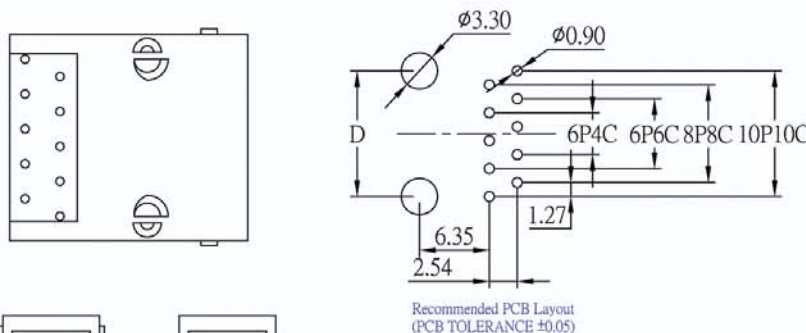
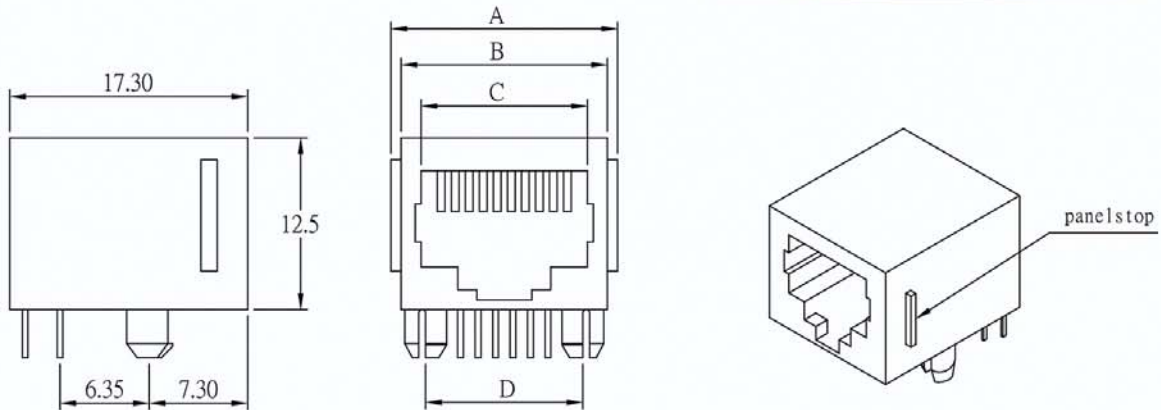
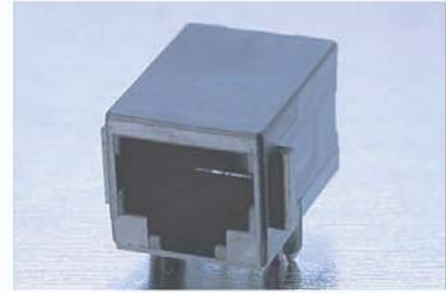


MODULAR JACK SIDE ENTRY H=12.5 W=17.3

MATERIAL & FINISH

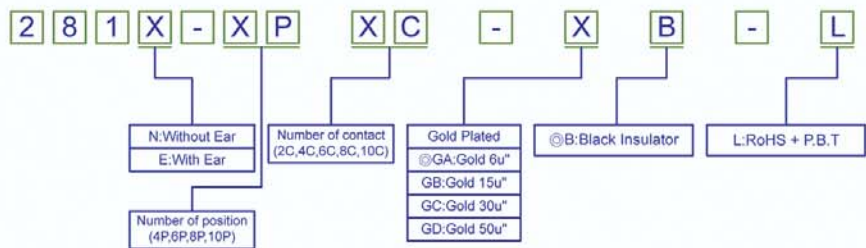
HOUSING: Glass Fiber, PBT. UL94V-0, BLACK
 CONTACT: 0.35 mm thickness phosphor bronze,
 Gold plated over Nickel on contact area,
 Tin plated over Nickel on solder area.



Recommended PCB Layout
 (PCB TOLERANCE ±0.05)

POSITION	CONTACT	A	B	C	D
4P	4C	13.50	11.20	7.80	7.80
6P	2C/4C/6C	15.60	13.20	10.00	10.60
8P	8C	17.60	15.00	11.90	11.43
10P	10C	17.60	15.00	11.90	11.43

ORDER INFORMATION



Ⓢ: Standard Recommend